

CPE 300

New
CE

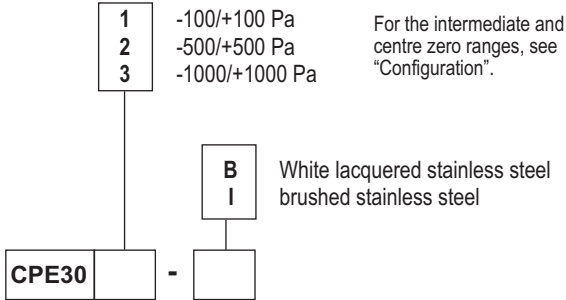


brushed stainless steel



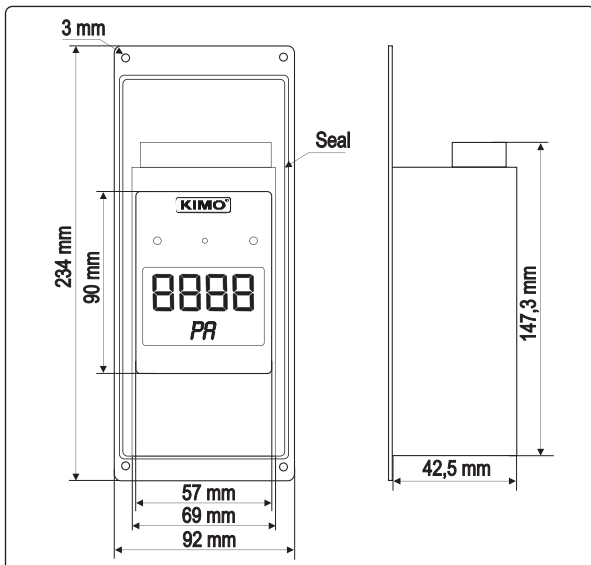
White lacquered stainless steel

- Range : 0/+10Pa ~ -1000 / +1000Pa ()
- Resolution : 0.1Pa - CPE 301()
- Accuracy
- face calibration
- Output (SPI)
- 1~ 3
- Accuracy (KIMO Class 200 & 300)
- 4-20mA (4wires) 0-10V , RS 232, 2 RCR relays 6A/230 Vac
- 2 (LED) & (-80dB)
- MODBUS RS485 ()
- :
- :



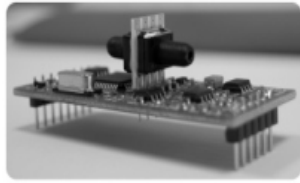
- []
- : SPI
- : Pa, mmH2O, mbar, inWG
- : ± 0.5% of reading ± 1Pa
- ± 0.5% of reading ± 0.8Pa(CPE 301 0.1Pa
- : self - calibration
- : 1 Pa,0.1 mmH2O,0.01 mbar,0.01 inWG
- self - calibration : push button (가)
- : air, neutral gases

* All accuracies indicated in this technical datasheet were stated in laboratory conditions, and can be guaranteed for measurements carried out in the same conditions, or carried out with calibration compensation.



- : 316L
- : , 304L
- :
- : electroluminescent alphanumeric (38 × 48mm)
- 4 digits x 8 segments (first line : value of the measurement)
- 4 digits x 12 segments (second line : unit of measurement)
- protection screen made of PMMA
- : 1 ~ 3 (3)
- () : 14mm
- : barbed fitting 5.2mm
- : 690g

■ SPI
()



SPI 가 SPI 가

SPI 100	-100/+100 Pa
SPI 500	-500/+500 Pa
SPI 1000	-1000/+1000 Pa

10%

- : 25000Pa
- : 1/e (63%) 0.3
- : L = 60mm, l=25mm
- : 0 ~ +50
- : -10 ~ +70

■ Self-calibration

Class 300

: 가

가 가

- : 100,000,000
- :
- : 1 ~ 60

■ Relays and Alarms

Class 300

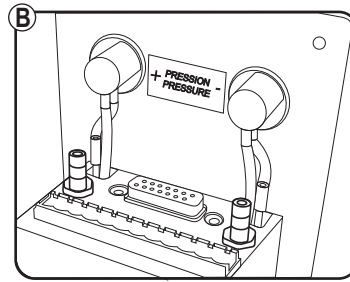
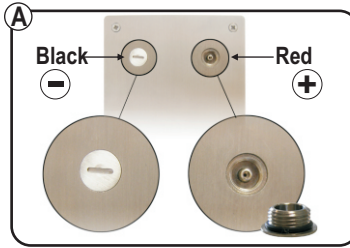
(LED) 2 x 4

- 1 ~ 2 setpoint ()
- / 60
- (,)
-
- (buzzer)

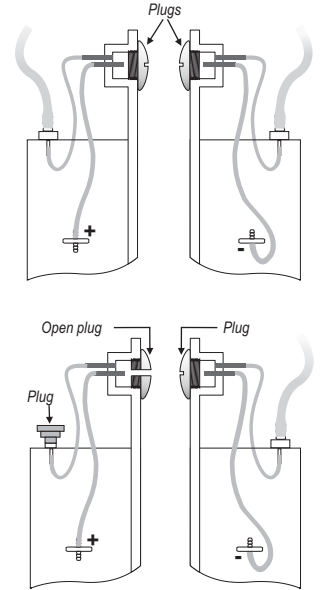
(0 ~ 9) 가

->

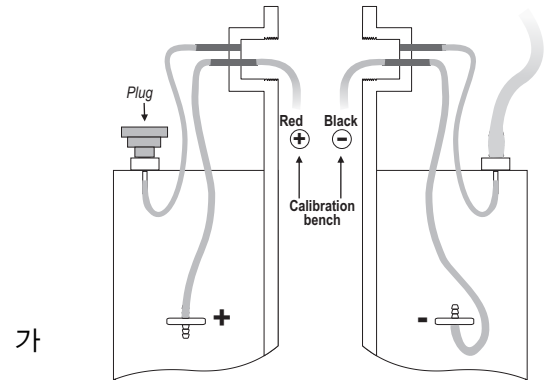
- CPE300 : (A), 2가 가 (B)



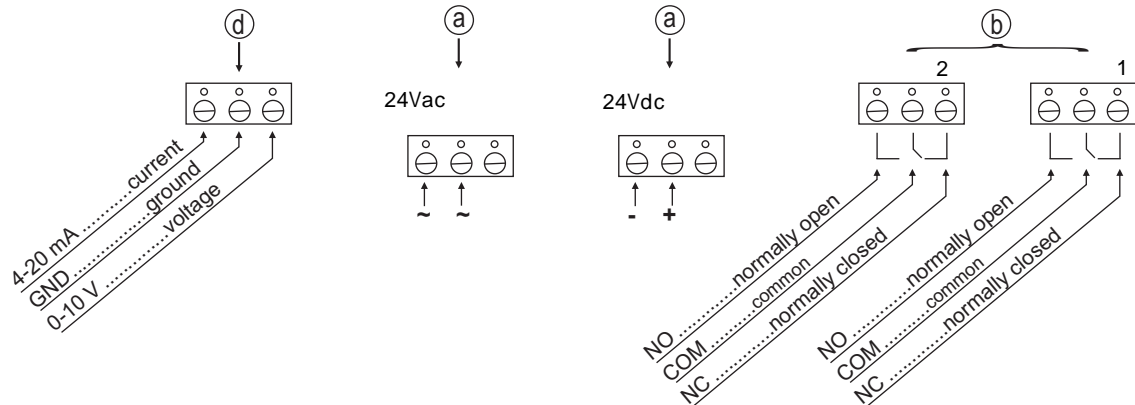
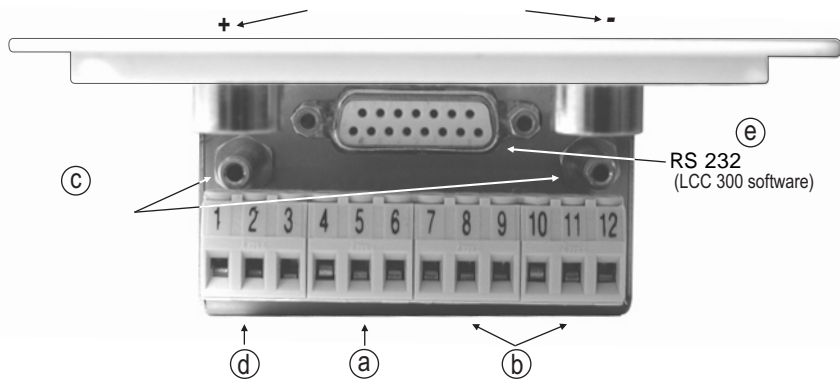
Examples of possible mountings



■ Face calibration



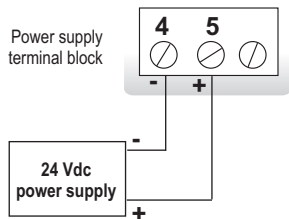
- : 24Vac /Vdc ± 10%
- : 1 x 4-20mA 1 x 0-10V (4 wires)
maximum load : 500 Ohms (4-20 mA)
minimum load : 1 K Ohms (0-10 V)
- Galvanic isolation : on the output
- : 5VA
- : 2 RCR 6A / 230 Vac
- : 2 LED
- : buzzer
- : EN 61 326
- : screw terminal block for cables 1.5mm2 max
- RS 485 : RTU Modbus : 2400 ~ 115200 Bauds
- RS 232 : ASC
() : 0 ~ +50
: -10 ~ +70
: air, neutral gases



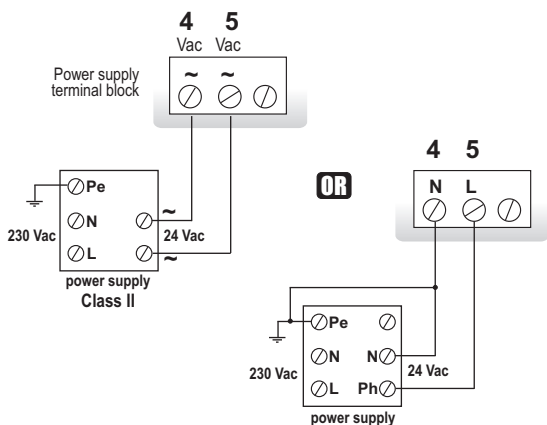
as per **NFC15-100** norm

! This connection must be made by a qualified technician. **Whilst making the connection, the transmitter must not be energized.**

• 24Vac

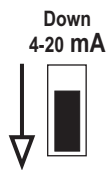


• 24Vdc

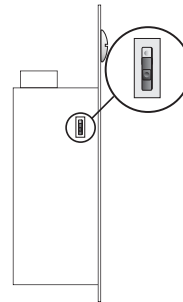


(0 - 10V)

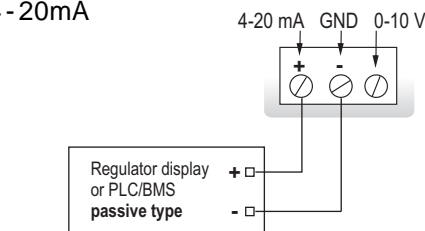
on - off



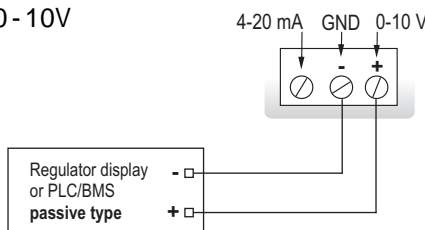
(4 - 20mA)



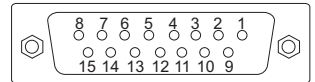
• 4 - 20mA



• 0 - 10V



■ Connection of **SUB-D15**
RS 232 and RS 485 (Modbus)
(see © on connection drawing)

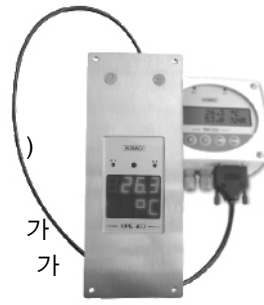


Pin #	Description
1	NC *
2	NC *
3	NC *
4	B - (RS485)
5	A + (RS485)
6	NC *
7	NC *
8	NC *
9	RX (RS 232)
10	NC *
11	TX (RS 232)
12	NC *
13	NC *
14	NC *
15	GND (RS 232)

!
NC* ->

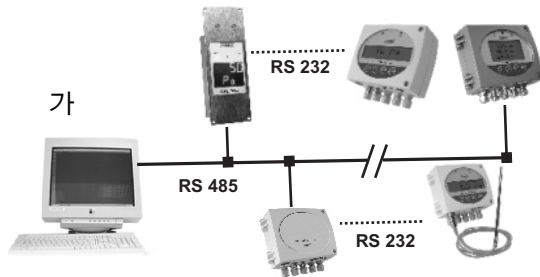
RS 232

CPE 300 RS 232 KIMO
 class 200 & 300 1 ~ 2
 (3)
 : , TH200 ,
 CPE 300 ,
 RS232 LCC 300
 RS 232 : 2m, 5m, 10m(max)



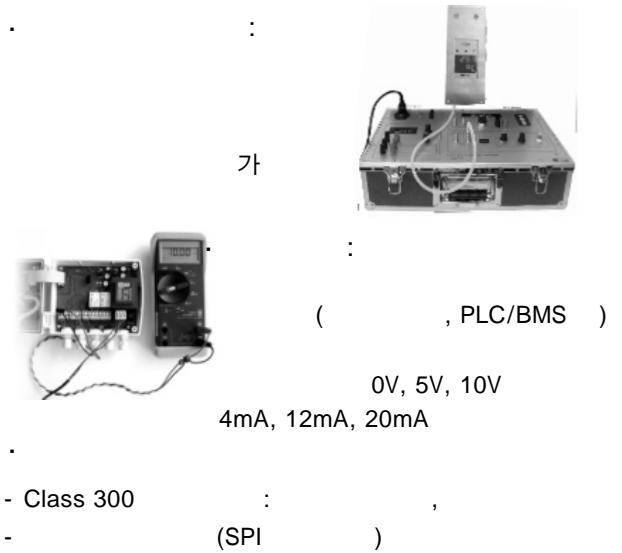
Modbus (RS485)

• Class 300 RS485

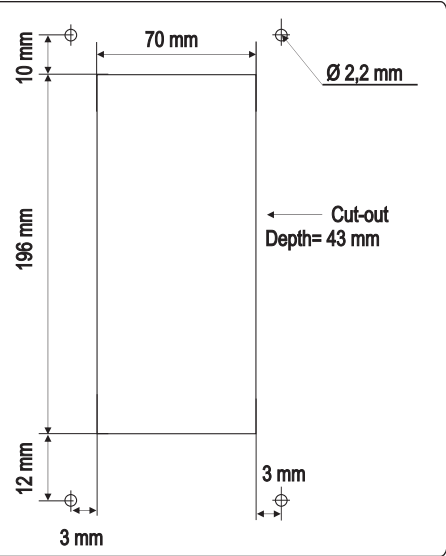


• Class 200 300 RS232 CP300
 rs 485
 PLC / BMS 가
 • RS485 RTU Modbus 가
 2 wire . CP300
 PLC/BMS .
 Modbus , ...

Calibration



CPE 300
 196 x 70mm
 4
 ()
 0V, 5V, 10V
 4mA, 12mA, 20mA
 - Class 300 :
 - (SPI)



- RS 485 (Modbus)
- LCC - 300 (RS 232)
- Calibration certificate
- 0.1Pa (CPE 301)

가

()

() -
 , LCC 300

MODBUS () -
 PC

가

(-50 / 0 +50 Pa)
 offset zero (-30 / 0 / +70 Pa)
 (0 / +100 Pa)
 가

가 ,
 10 %
 100 % 가